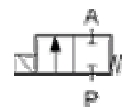


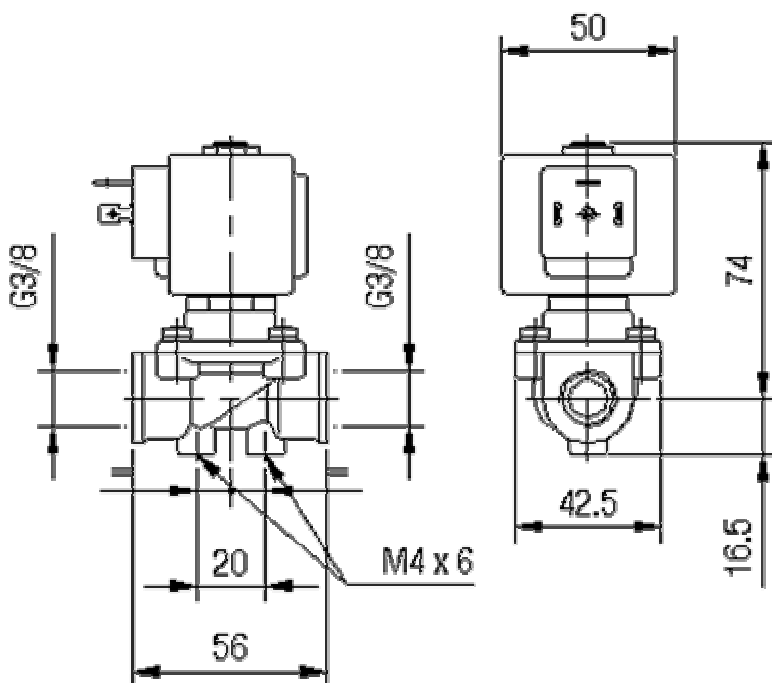


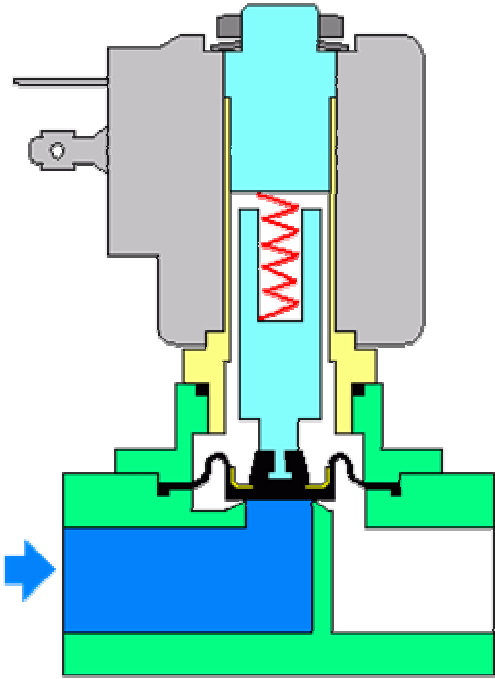
Type DL6 G3/8 DN6
TOTAL SEPARATION



[<<<Previous page](#)

Ports	Orifice size [mm]	Flow coefficient Kv [l/min] water (p = 1 bar)	Differential pressure [bar]		Material		Mass [kg]	Coil type	Model	Voltage	Power [W]	Order code
			min	max	body	seal						
G3/8	6	12	0	2.5	PP	FPM	0.38	TM35	DL6	230 V AC	8	339002
				2	PP	FPM	0.38	TM35	DL6	115 V AC	16	339021
										48 V AC	16	339022
										24 V AC	8	339023
				2.5	PP	FPM	0.38	TM35	DL6	24 V DC	12	339003





JAKŠA d.o.o. Šlandrova 8, SI-1231 Ljubljana, Slovenia, EU tel.: +386 1 537 30 66 fax: +386 1 537 30 67 e-mail: info@jaksa.si
 www.jaksa.si
 Specifications are subject to change due to improvement. Last update: 2011-04-19